

Fitting Instructions

Falcon 30 Shower Tray

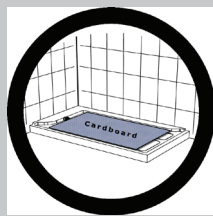
- Falcon 30 trays are not handed.



Tray	Standard Length	Standard Width
FALC30-900x900	900mm	900mm
FALC30-1000x1000	1000mm	1000mm
FALC30-1300x700	1300mm	700mm
FALC30-1400x800	1400mm	800mm
FALC30-1500x700	1500mm	700mm
FALC30-1800x700	1800mm	700mm
FALC30-1800x800	1800mm	800mm



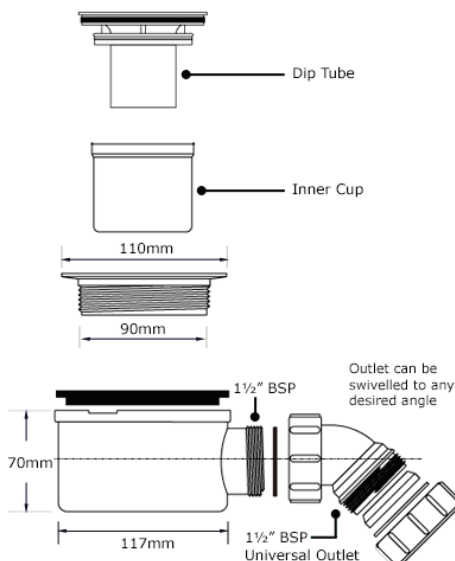
SUITABLE for showers with an output of **UP TO 15 litres per minute**



IMPORTANT to protect the shower tray from being marked whilst being installed, please cover with a cardboard covering



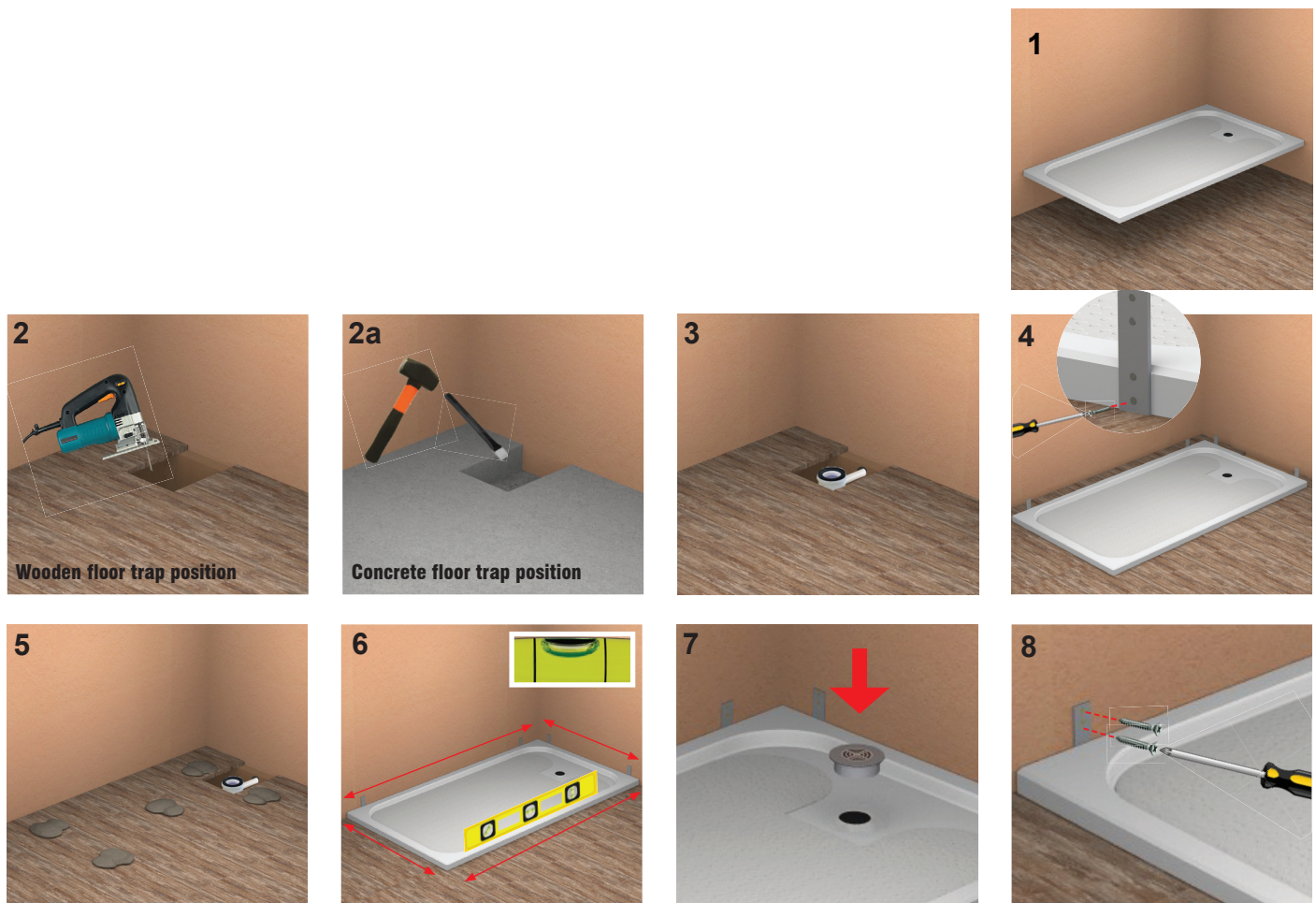
For technical assistance with your installation or any other technical help please call: **0845 402 9924**



ST90CPB-P-70 Gravity Waste

- Standard trap with 50mm water seal for use with a shower tray with a 90mm diameter waste.
- Only 70mm in depth.
- 110mm Chrome plated, brass flange and petal grid fitting.
- Flow rate approximately 35 litres per minute.
- 1 1/2" multi fit outlet, which can be swivelled to any desired angle.
- Simple to install.

FALCON 30 Shower Tray Fitting Instructions



1. Locate the Falcon 30 in the corner / alcove which it is going to be finally positioned in.
2. Mark the shower trap position through the trays waste & decide upon the position of the waste pipe. Cut out the room flooring as required to suit the trap & pipework using a suitable saw.
CONCRETE FLOOR: Excavate within your marked trap position area to a sufficient depth of approximately 75mm deep to accept the trap body & pipework.
3. Place the ST90CPB-P-70 trap in position & connect to the outlet pipework. Remove the traps chrome plated flange & set aside, this will be required later.
4. 4 x fixing brackets are provided to fix the shower tray to the wall. Attach them to the tray edges which will touch the walls as shown.
TIP: Use the bottom most hole of the bracket to attach it to the tray & you will use the top 2 holes to attach to the wall later.
5. Use a weak sand and cement mix to help key the tray in position & to avoid any slippage during installation. You may wish to apply a unibond type sealant to the underside of the tray to achieve good adhesion between the cement & the tray.

6. Using a spirit level, ensure the tray sits level on the bathroom floor along all 4 edges. You may need to pack beneath the tray to achieve this.
7. The trap can now be re-assembled by attaching the trap chrome flange through the tray waste outlet on to the trap body.
8. Secure the shower tray to the wall using the wall brackets which you previously attached to the tray.
TIP: It may be necessary to recess the bracket into the wall by removing some of the plaster.

YOU ARE NOW READY TO COMPLETE THE TILING OF YOUR SHOWER AREA & FIT YOUR CHOICE OF SHOWER DOORS.